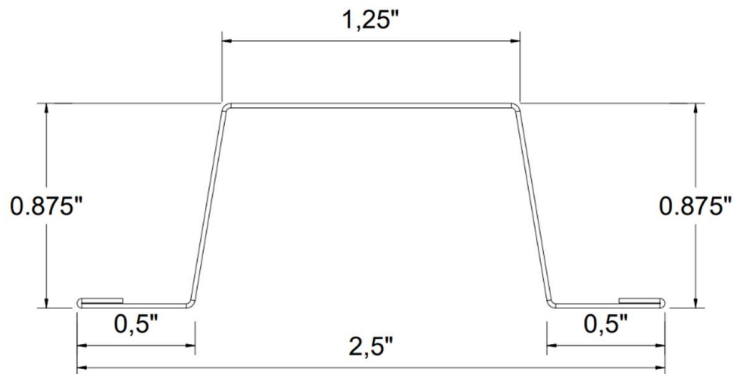


**Product Type:** Hat Furring Channel  
**Product Definition:** 087F125-33 33ksi  
**CSI Code:** 09.22.16.13



### Profile Properties:

Web Depth	0,875 in	Yield Strength:	33 ksi
Flange Width	2,50 in	Cross Sectional Area	0,133 in <sup>2</sup>
Design Thickness	0,0346 in	Unit Weight	0,4542 lb/ft
Minimum Thickness	0,0329 in	Finish	G40

### Effective Section Properties:

Effective Moment of Inertia for Deflection	I <sub>xe</sub>	0,017 in <sup>4</sup>
Allowable Bending Moment	M <sub>a</sub>	0,776 in.K

### Hat Furring Channel Limiting Ceiling Spans (ft-in):

Load	4 psf			6 psf			13 psf		
	12"	16"	24"	12"	16"	24"	12"	16"	24"
Single	5'-9"	5'-3"	4'-7"	5'-0"	4'-7"	4'-0"	3'-11"	3'-6"	3'-1"
Multiple	7'-10"	7'-1"	6'-3"	6'-10"	6'-3"	5'-5"	5'-3"	4'-10"	4'-2"

### Codes & Standards:

- Calculations are based on AISI S220-20 and AISI S100-16.
- Complies with IBC2021, ASTM C645, ASTM C754, ASTM A653, ASTM A1003, ASTM E72
- Intertek Certificate of Compliance No: COC-WHI23-37729201
- LEED / Sustainability Credits: Environmental Product Declaration S-P Code: S-P-00869

### Application Areas:

- Furring for walls or ceilings.
- Furring for masonry walls.
- Framing for suspended ceilings.